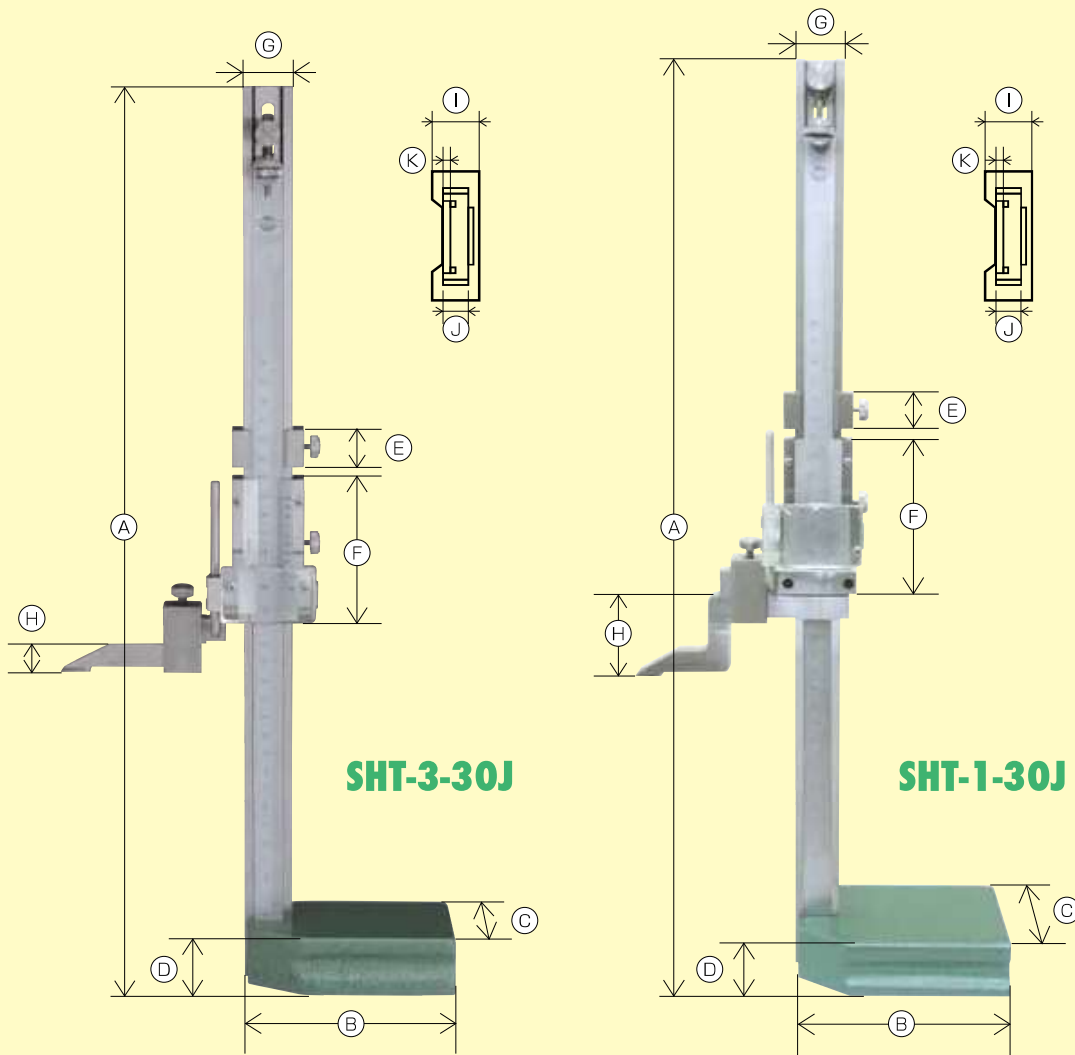


# SHT-3 / SHT-1

Adequate for measurement of height for vertically long objects

With "Vertical movement of main scale", this height gage can be used for instantaneous measurement.



Measurement of height



Measurement of height



- A magnifying lens for easy reading of scale is provided.
- A carbide tip is provided on the top end of scriber, and the measuring surface is precisely finished.

## ■ SHT-3 : Specifications

(Unit : mm)

Model	Measuring length	Minimum reading	Instrumental error	Weight	A	B	C	D	E	F	G	H	I	J	K
SHT-3-30J	300	0.02	±0.04	2.3kg	480	120	71	32	20	70	26	16	14	8	3.1
SHT-3-60J	600	(Division of 49 mm into 50 equal parts)	±0.05	5.4kg	836	162	110	43	20	90	28	16	19	12	3.1

## ■ SHT-1 : Specifications

(Unit : mm)

Model	Measuring length	Minimum reading	Instrumental error	Weight	A	B	C	D	E	F	G	H	I	J	K
SHT-1-30J	300	0.02 (Division of 49 mm into 50 equal parts)	±0.04	2.4kg	500	123	71	32	20	84	26	47	14	8	3.1
SHT-1-60J	600		±0.05	5.5kg	851	162	110	43	20	102	28	58	19	12	3.1
SHT-1-150	1,500		±0.12	39.0kg	1,920	272	200	75	35	125	50	75	29.5	20	5
SHT-1-200	2,000		±0.16	43.0kg	2,420	322	250	75	35	125	50	75	29.5	20	5