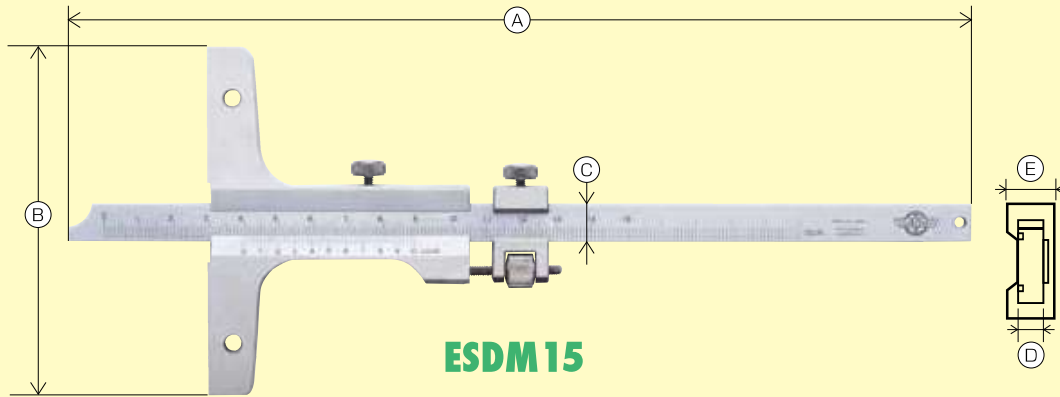


# ESDM / SDM

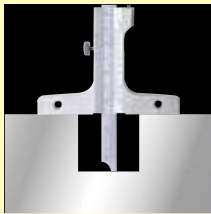
Adequate for measurement of depth of hole with wide opening

## Depth gage adequate for measurement of depth of hole with wide opening

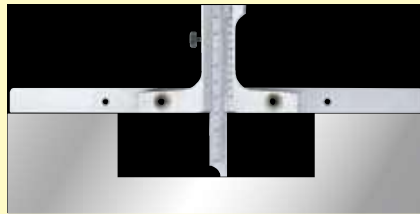


**ESDM 15**

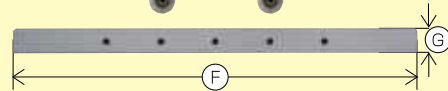
Measurement of depth (standard configuration)



Measurement of depth (with a span mounted)



● Since the span size of base can be changed on this depth gage, not only normal measurement of depth but also measurement of depth of hole with wide opening is available. (Replacement spans are optional.)



### ■ ESDM : Specifications

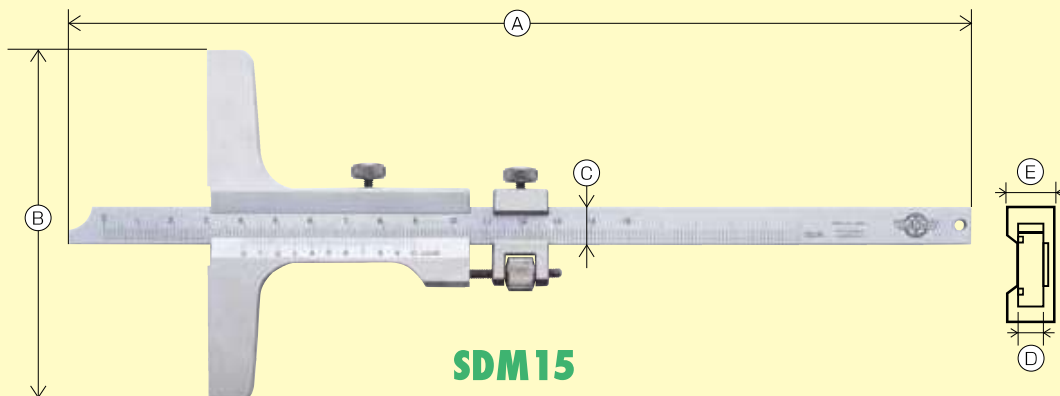
(Unit : mm)

Model	Measuring length	Minimum reading	Instrumental error	Weight	A	B	C	D	E
ESDM15	150	0.02 (Division of 49 mm into 50 equal parts)	±0.03	250g	260	100	11	4	8
ESDM20	200			270g	310	100	11	4	8
ESDM30	300		±0.04	300g	410	100	11	4	8

### ■ Replacement span (Unit : mm)

Model	F	G	Weight
SPAN18 (180mm)	180	16	260g
SPAN26 (260mm)	260	16	370g
SPAN32 (320mm)	320	16	440g

Option



**SDM 15**

● Model configured as ESDM without span

### ■ SDM : Specifications

(Unit : mm)

Model	Measuring length	Minimum reading	Instrumental error	Weight	A	B	C	D	E
SDM15	150	0.02 (Division of 49 mm into 50 equal parts)	±0.03	250g	260	100	11	4	8
SDM20	200			270g	310	100	11	4	8
SDM30	300		±0.04	300g	410	100	11	4	8
SDM40	400			900g	580	180	16	5	11
SDM50	500		±0.05	950g	680	180	16	5	11
SDM60	600			970g	780	180	16	5	11
SDM100	1000	±0.07	1.66kg	1150	250	20	6	11	

Measurement of depth

