

E-RX / E-RZ

Digital caliper for measuring circular center distance of holes with digital direct reading system

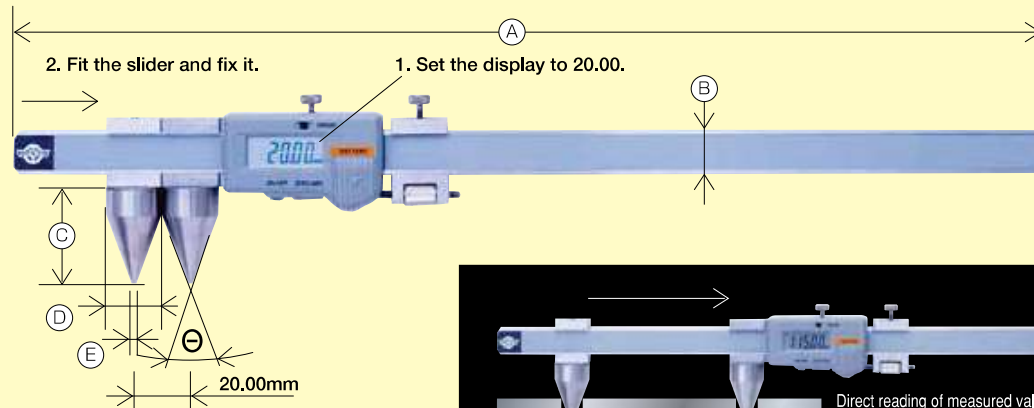


"Digital direct reading system" for hole pitch through easy operation

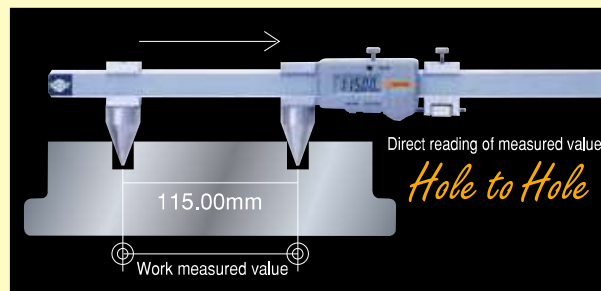
Direct reading system
Digital

For center distance measurement "between holes"

E-RX30B



- The center distance of holes can be measured through direct reading. Holes with a diameter of 19 mm at the maximum can be measured.
- The printer output function is provided.



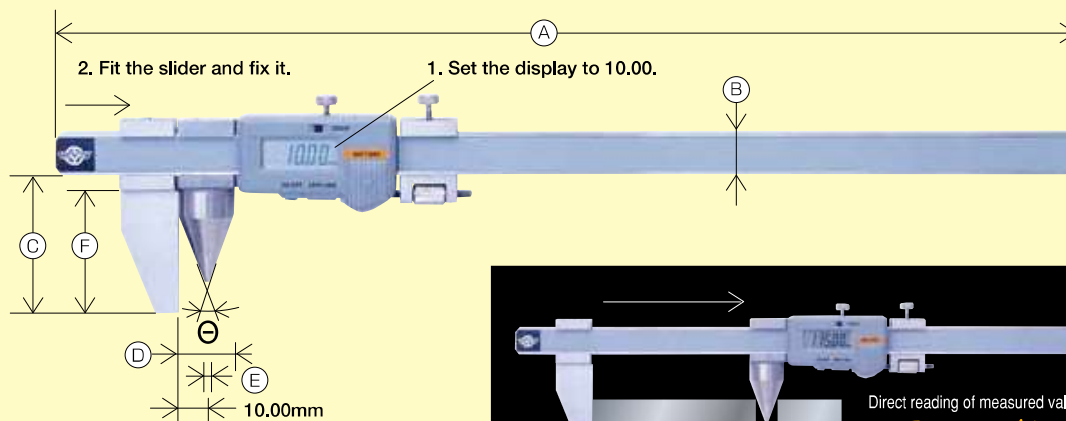
E-RX : Specifications

(Unit : mm)

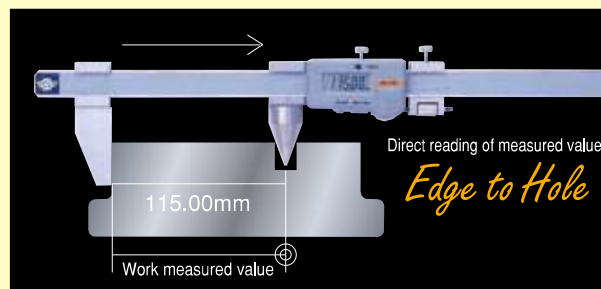
Model	Measuring length	Resolution	Instrumental error	Minimum hole diameter	Maximum hole diameter	Power supply	Weight	A	B	C	D	E	Θ
E-RX20B	20~200	0.01	±0.03	φ3	φ19	SR44 1 piece	360g	370	16	35	φ20	φ2	40°
E-RX30B	20~300							500	20	35	φ20	φ2	40°

For measurement of distance "between edge face and hole"

E-RZ30B



- The distance between edge face and hole can be measured through direct reading. Holes with a diameter of 19 mm at the maximum can be measured.
- The printer output function is provided.



E-RZ : Specifications

(Unit : mm)

Model	Measuring length	Resolution	Instrumental error	Minimum hole diameter	Maximum hole diameter	Power supply	Weight	A	B	C	D	E	F	Θ
E-RZ20B	10~200	0.01	±0.03	φ3	φ19	SR44 1 piece	340g	370	16	50	φ20	φ2	45	40°
E-RZ30B	10~300							500	20	50	φ20	φ2	42	40°